

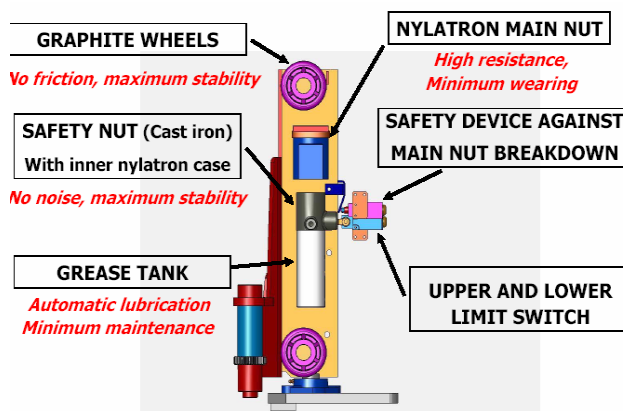
4EC0900

Electromechanical 2-post lifts baseless 5.000 kg. Symmetric arms

Electronic Synchronization



Distance between posts	3.000 mm.
Load capacity	5.000 kg.
Pick up height	135 mm.
Pads height	55 - 200mm
Max. Lifting height	2.060 mm
Lifting time	44 s
Arms length (min-max)	810 - 1.500 mm
Overall width	4.260 mm.
Motor	2X3 phases 230/400 V 50/60 Hz. 1,5 KW



3 phases 60 Hz version: **4EC0962**

GENERAL FEATURES:

- Symmetric arms permit an easy open of doors.
- **Homologated and certified** product according to the European Directive 2006/42/CE.
- **SCS** is the new self-diagnostic and integrated informative system for vehicle lifts.
- **Easy to enter the** vehicle without any effort or to introduce it without tool bench or other auxiliary equipment.
- **Low maintenance:** Automatic and permanent lubrication of the spindles and nuts.
- **Maximum stability:** No block sliders. Each carriage is equipped with four wheels to guarantee the minimum friction inside columns permitting a stable lifting and lowering.
- **High resistant spindles** made of special laminated steel and a nut system of long-life.
- Manual lowering of arms in case of energy absence.



4EC0900

Electromechanical 2-post lifts baseless 5.000 kg. Symmetric arms

SAFETY SYSTEMS:

- **Safety system** against obstacles on lowering.
- **Safety device** against breakage or wear of main nut.
- Automatic arms blockage.
- **Thermal detector** on motor against overheating.
- Upper and lower height limit switches.
- **Push buttons at 24 V**, type "dead man" safety control, separated switches up/down.
- Products tested before delivery from factory.

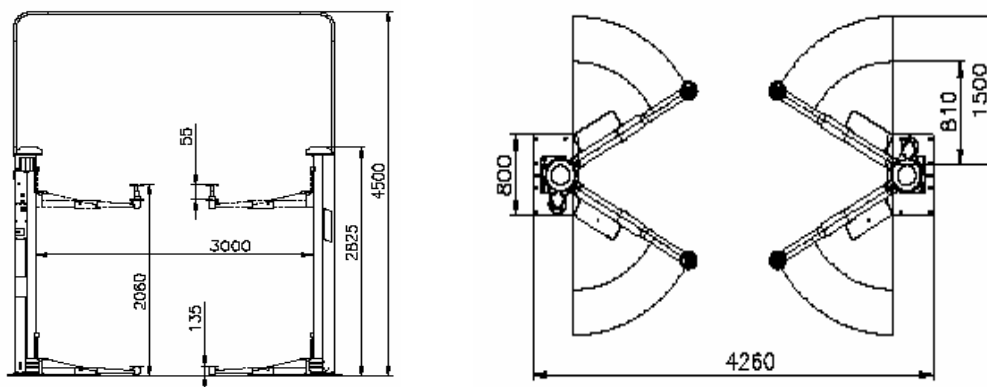


SCS is the new self-diagnostic and integrated informative system for vehicle lifts. This system analyses the mechanical and electrical state of lifts and it helps not only the breakdown prevention but the decrease of repair expenses as well. It is also a useful guide to be used by the technical assistance services. **SCS** is the most innovative and intelligent informative system for vehicle lifts offering exclusively the following advantages all together:

- Spot information about lift height.
- Pre-set service for automatic height stop.
- Maintenance service warning sign.
- General revision warning sign.
- Components information service

VELYEN, European leader trademark, is the pioneer which apply this exclusive informative system **SCS** to a new generation of vehicle lifts.

TECHNICAL DRAWINGS



TRADEMARK AWARD
 HONOURING THE TOP
 QUALITY AND BEST
 SERVICE IN VEHICLE LIFTS

