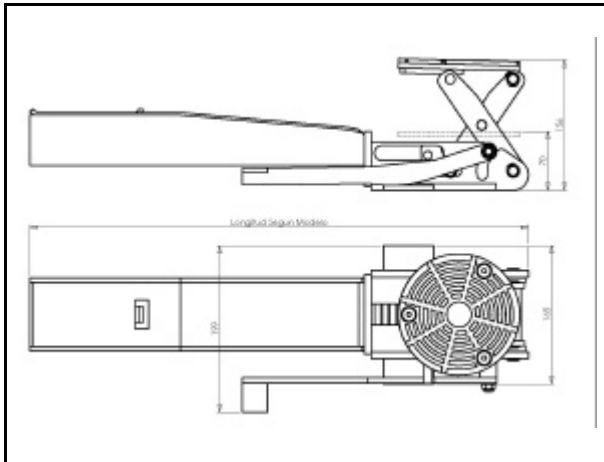


EXPRESS PAD ARM FOR ELECTROMECHANICAL LIFT



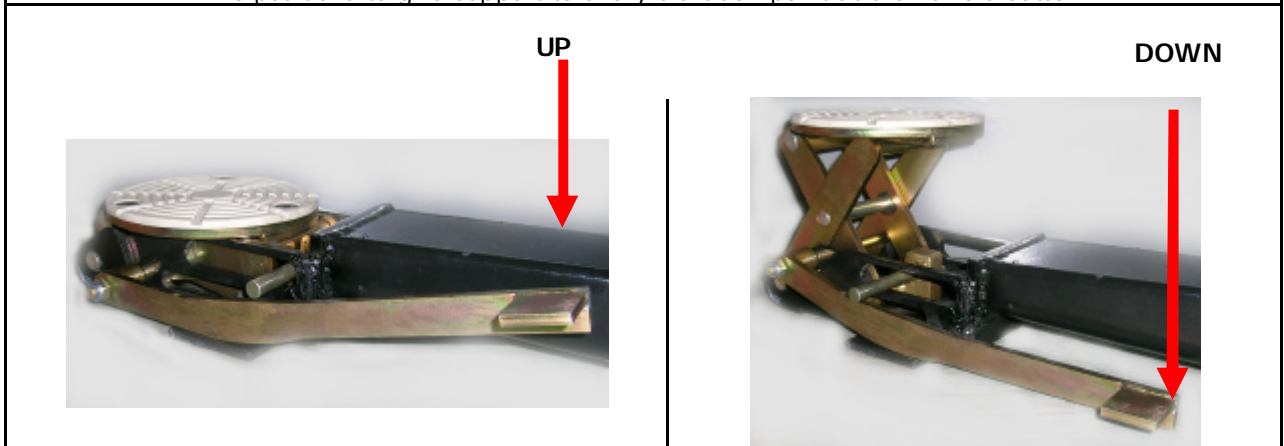
GENERAL FEATURES:

- New ergonomic height adjustment of pads.
- The adaptation is achieved through the action of the lever with the foot, without bending the operator, avoiding:
 - Back injuries or knee to bend or twist it to bend to adjust the height of the pads.
 - Blows against objects not having to bend or move the elevator down to the placement of the pad.

Also:

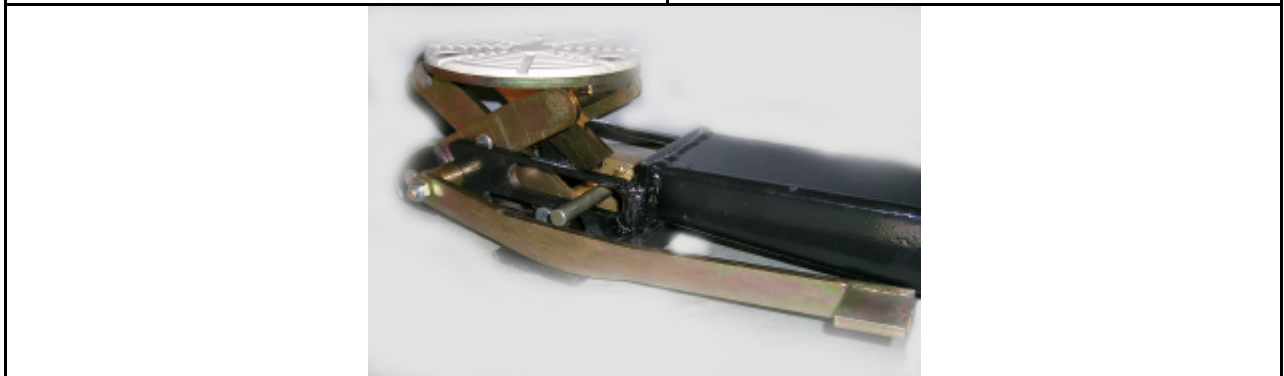
- Reduction of working time, to be setting foot avoiding stooping times.

Till 5 positions to give support to every elevation point at the vehicle bottom.



LOWER POSITION

UPPER POSITION



3 INTERMEDIATE POSITIONS

999300	EXPRESS PAD ARMS FOR 4EB0500 / 4EC0500
999400	EXPRESS PAD ARMS FOR 4EB0600 / 4EC0600
999500	EXPRESS PAD ARMS FOR 4EB0700 / 4EB0800 / 4EC0800

