

► *Velyen Serie 1*

4EB1100

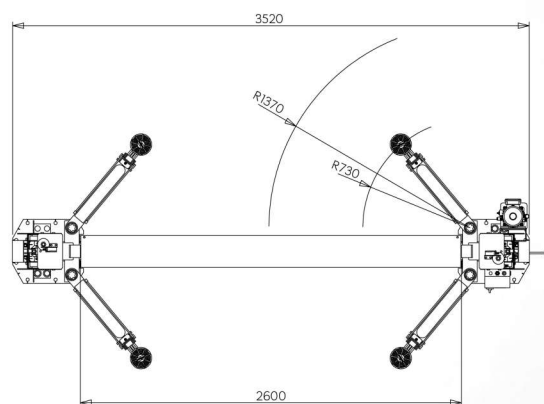
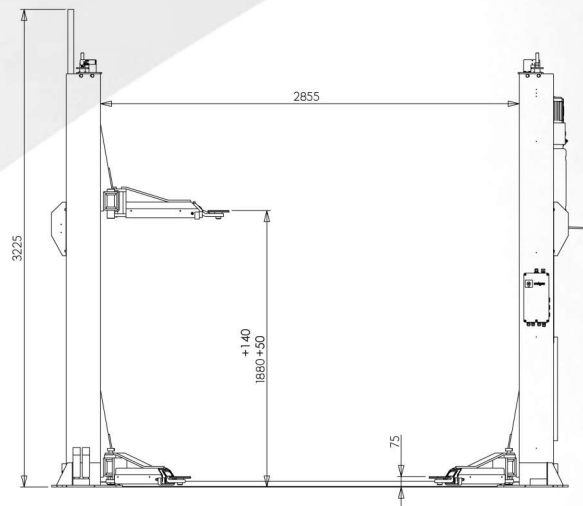
Hydraulic 2-post lift
with semi-base 3.500 Kg





General Features:

- Homologated and Certified product according to the European Machinery Directive 2006/42/CE and Harmonized Standards EN 1493:2010.
- Reinforced carriages and arms for better safety.
- 3-section arms with lower pick-up height 75 mm.
- Safety device on lifting arms against toe-trapping.
- Automatic arms locking.
- Nylatron sliders with low coefficient of friction and wear.
- Control box with ON/OFF switch and independent UP and DOWN pushbuttons.
- Single point release of safety locks by lever.
- Carriage synchronization and safety against obstacles by wires.
- Two heavy-duty chains drive carriages for a total security.
- Automatic safety shutdown in case of breakage of chains or wires.
- Semi-base low profile: 34 mm height.
- Two pad extensions of 50&140mm permit the loading of any type of vehicle.



Distance between posts	2855 mm
Load Capacity	3500 Kg
Pick up Height	75 mm
Pads Height	50/140 mm
Lifting Height	1880 mm
Lifting Speed	45"
Arms Length (min-max)	730-1370 mm
Overall Width	3520 mm
Motor	3 phase 230/400 V - 50/60 Hz. 2.2 KW

Single Phase Version: 4EB1151



CUSTOM DESIGN AND MANUFACTURE BY VELYEN



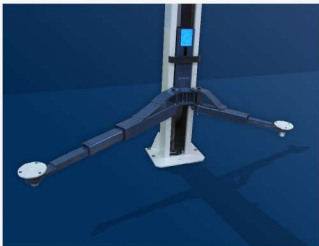
► HYDRAULIC

Hydraulic Group at the top
for a lower noise



► SAFETY

Release lever of
safety locks



► DESIGN

Three-section telescopic arms
with great ability to reach by
extending or reducing the
maximum or minimum length
of them



► SAFETY

Heavy-duty chains
for total safety



► DESIGN

Greater distance between
columns to facilitate the
opening of vehicle doors



► SAFETY

Upper height limit switch
ensures the longer durability
of the cylinder



► DESIGN

Pad extension of minimum
height designed to lift lower
vehicles



► SAFETY

Safety switch against chain
breakage



► ELECTRICAL SAFETY

Control box with integrated
switch to meet European
Standards for electrical and
hydraulic safety



► SAFETY

Foot protection



CUSTOM DESIGN AND MANUFACTURE BY VELYEN



▶ SAFETY

Sealed and tested cylinders
against oil leaking



▶ OPTIONALS

Tools support



▶ SAFETY

Suitable to serve 100% of
vehicles safely and in
compliance with new
European Standards



▶ OPTIONALS

Lighting equipment
24V



▶ OPTIONALS

Air & Energy supply



▶ OPTIONALS

Optional 4 x 4



▶ OPTIONAL

Wheel alignment support



▶ ELECTRICAL OPTIONS

Single phase available

230 V - 50 Hz



▶ OPTIONALS

Color customization