

► *Velyen Serie 1*

4EE1150

Low Raise Scissor Lift 2.800 Kg

Low profile: 105 mm

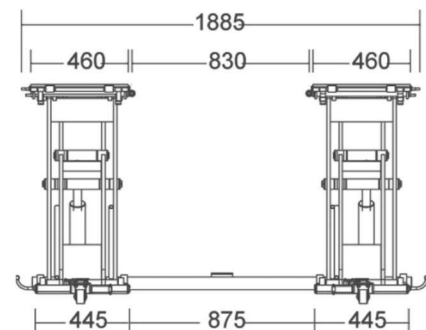
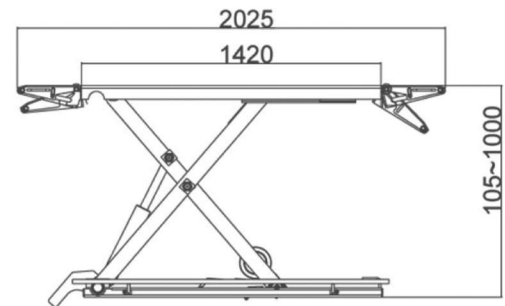
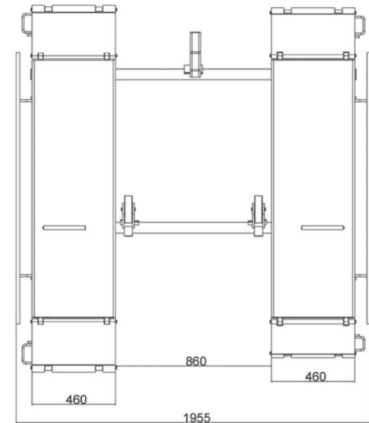
Mobile version optionals available





Características generales:

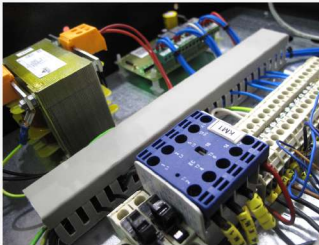
- Homologated and certified product according to the new European Machinery Directive 2006/42/CE and Harmonized Norm EN 1493:2010.
- Versatility of useful platforms from 1420 mm to 2025 mm.
- Low profile platforms 105 mm suitable for special or tuned vehicles.
- Strong design with two single-effect cylinders for better maintenance
- Mechanical safety system with pneumatic release of safety wedges.
- Safety valve against over-pressure.
- Hydraulic group with gauge cap.
- FreFree maintenance self-lubricating bushings
- Surface installation recommended
- Entry/exit ramps can be used like platforms extensions
- Mechanical device that ensures the synchronization of the platforms height.
- Pushbuttons at 24V, type "dead man"
- Switch On/Off lockable with padlock .
- 100% Safety devices tested at factory before delivery
- Protection against toe-trapping
- Optional accessories for a mobile version permit a quick location of the machine.



Load capacity	2.800 Kg.
Platforms length	Min/max 1.420-2.025 mm
Platforms width	460 mm
Drive on height	105 mm
Maximum lifting height	1.000 mm
Distance between platforms	830 mm
Overall length	2.025 mm
Overall width	1.955 mm
Motor	3 Phase 230/400 V - 50/60 Hz. 2.2 KW



CUSTOM DESIGN AND MANUFACTURE BY VELYEN



ELECTRIC

Electrical components CE of the leading brands



ELECTRIC

Optimized motor for high performance with low power consumption



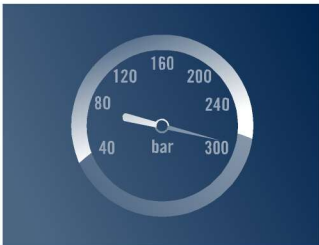
ELECTRIC

Electrical components designed to extend the life of the hydraulic system



HYDRAULIC

High pressure flexible hoses of double pressed mesh of high quality and fully tested



HYDRAULIC

Hydraulic group of high performance (300bar) and long-life



HYDRAULIC

Hydraulic O-rings Premium maximum sealing and minimal wear



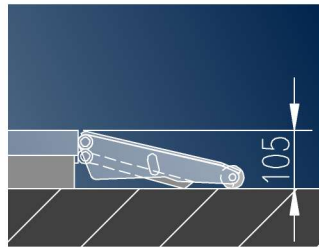
HYDRAULIC

Integrated control box pre-installed



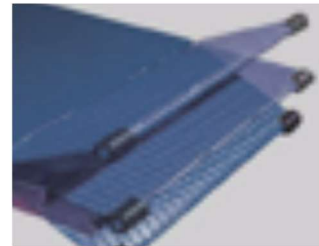
DESIGN

Self-lubricating bushings



DESIGN

Minimum height design



DESIGN

Reinforced folding ramps, act as platform length extensions



SAFETY

Mechanical safety with torsion bar to avoid any platform uneven



SAFETY

Mechanical safety



CUSTOM DESIGN AND MANUFACTURE BY VELYEN



SAFETY

Reduced noise <65dB
complying with the rules
EN1493



SAFETY

Dynamic load test with 115%
of the maximum load rate
according to UNE 1493.
Complete check of principal
safety devices of the lift before
delivery from factory



SAFETY

Acoustic signal against
toe-trapping



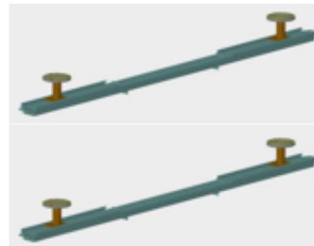
ACCESSORIES

Extra-low pads included



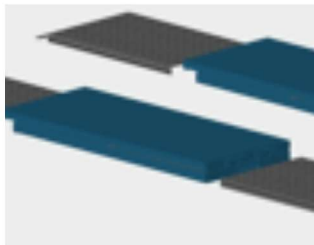
OPTIONALS

Optional accessories
for a mobile version
permit a quick location
of the machine



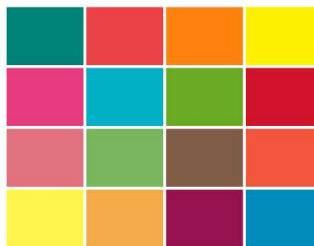
OPTIONALS

Optional 4 x 4



OPTIONALS

Special tuning optional



OPTIONALS

Color customization