

► *VelyenPremium*

4EF0100

Mobile Columns Lift

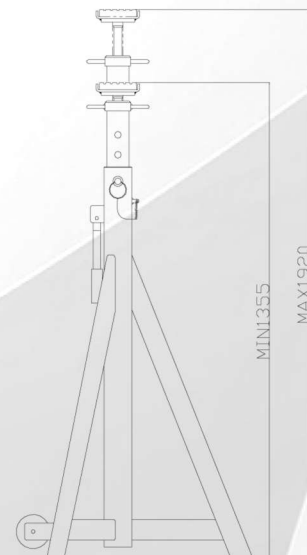
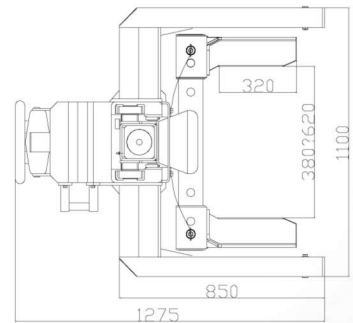
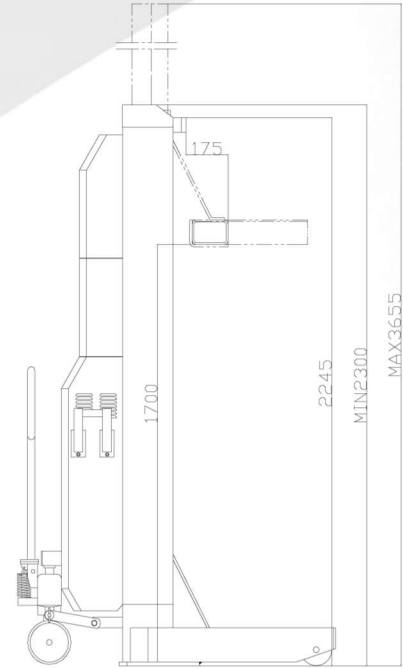
7.500 Kg





General Features:

- Homologated and certified product according to the new European Machinery Directive 2006/42/CE and Harmonized Standards EN 1493:2010.
- Electro-hydraulic columns of 7.500 Kg each.
- Lifting configurations:
 - 4-columns set: 1 master + 3 slave columns
 - 6-columns set: 1 master + 5 slave columns
- Interconnecting cables from column to column around the vehicle in a cable circuit with one open end to drive in/out.
- Adjustable wheel forks from 380 to 620 mm.
- Each slave column is equipped with interconnecting cable with plugs at both ends.
- The control system "SCS" guarantee a perfect and smooth synchronization of the lifting columns without speed variations and a continuous monitoring of all functions
- Optional wireless remote control.
- Individual hydraulic wheel jack on each column permits an easy and quick position.
- Lifting columns can be operated individually or all together.
- Safety system against obstacles.
- Mechanical upper height limit stop to protect the piston travel.
- Flow valve to control the lowering speed.
- Safety valve against over-pressure.



Load capacity	7500 Kg per column
Wheel forks length	320 mm
Wheel forks width	380-620 mm
Column height	2300 mm
Overall length	1275 mm
Overall width	1100 mm
Overall height	3655 mm
Lifting stroke	1800 mm
Lifting time	82"
Motor	3 Phase 400 V - 50 Hz. 1,5 Kw / Column
Weight	500 Kg



CUSTOM DESIGN AND MANUFACTURE BY VELYEN



SAFETY

Suitable to serve 100% of vehicles safely and in compliance with new European Standards



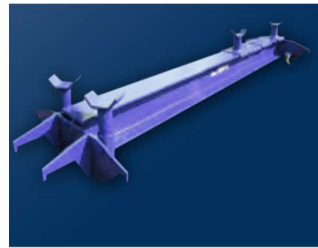
OPTIONALS

Wheel forks adapted for light vehicles



ELECTRIC

Electrical components CE of the leading brands



OPTIONALS

Free wheels cross beam 15t



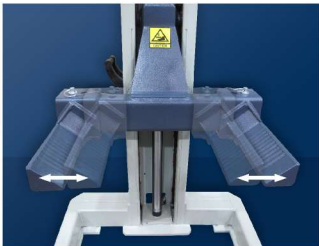
ELECTRIC

Electrical automatic locking system



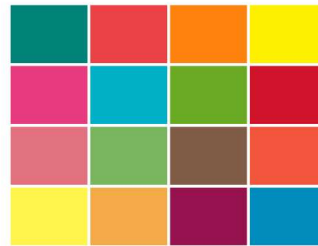
OPTIONALS

Entry ramps for low forklifts



DESIGN

Wheel fork designed for asymmetric wheels



OPTIONALS

Color customization



OPTIONALS

Axle stands 7.500 Kg